



Sovitron Interior Pvt.Ltd.



**Model Name**

DL-5883-BL Acoustic Light /DL-5883-BL-15

**Description**

Acoustic Light

**Technical description**

**Image**

**Dimension**

Dia=655mm  
H=280mm

**Frame**

Acoustic

**Color Tempertaure**

5700K

**Power**

15W

**Total Luminous Flux**

1050 lm

**Efficacy**

70 lm/W

**IP rating**

20

**Color Rendering**

≥80

**Mounting**

Pendant

**Optics**

LED

**Dimming**

NON-Dimmable

**Operating Voltage**

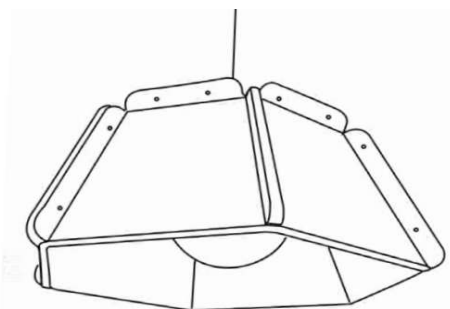
220-240 VAC

**Standard Lifetime**

L70 minimum at 50,000  
burning hours



**Dimension diagram**



655\*280mm

**Remarks:-**

**Address: Plot #7 Saroorpur-Nangla Industrial Area,Ballabgarh-Sohna Road,Faridabad-121005**

**Email: info@sovitron.com**